



QJH Series High Pressure Globe Stop Valve

1 Introduction

QJH high pressure ball valve has compact structure, reliable performance and good appearance. With forged steel body and sealing ring made by self-lubricating engineering plastics, this type of valve has considerable high-pressure resistance and good tightness. The handle is easy to move. The ball valve core and body both inside and outside are anti-corrosion treated, which are applicable for all kinds of hydraulic systems using oil and water-based emulsions media. Our ball valves have four main connection ways: male thread type, female thread type, flange type and plate type. The body of globe valve can also be covered by stainless steel.



2 Model Code

$\frac{QJ}{(1)} \frac{H}{(2)} - \frac{\text{※}}{(3)} \frac{\text{※}}{(4)}$

- (1) Series Code: QJH-stop valve
- (2) Nominal Pressure: H-31.5MPa
- (3) Nominal Size: 6-80mm
- (4) Connection Way:
 - B-plate connection
 - WL-male thread connection
 - F1-welded flange connection
 - NL-female thread connection
 - F-(Activity) round flange connection

3 Overall Dimension

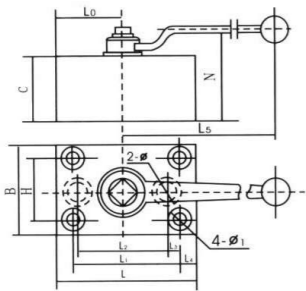
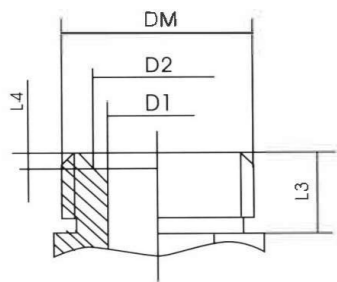


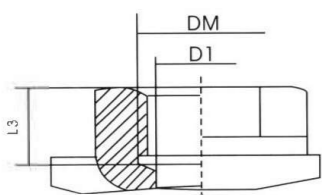
Plate high pressure ball valve connection dimensions

Model	L	B	C	L1	L2	L3	L4	L5	L6	H	N	f1	f2
QJH-10B	80	54	40	60	45	11	12	127	33	38	62	f 7	f 10
QJH-15B	91	60	46	56	52	6	19	127	39	42	66	f 9	f 15
QJH-20B	108	70	54	70	60	8.5	21.5	184	46.7	50	70	f 11	f 20
QJH-25B	125	77	60	80	72	3	30	184	54.7	55	73	f 11	f 25
QJH-32B	161	100	72	120	99	14	23	215	74.3	75	104	f 13	f 32
QJH-40B	187	122	90	150	112	23	20	215	86.8	90	129	f 17	f 40



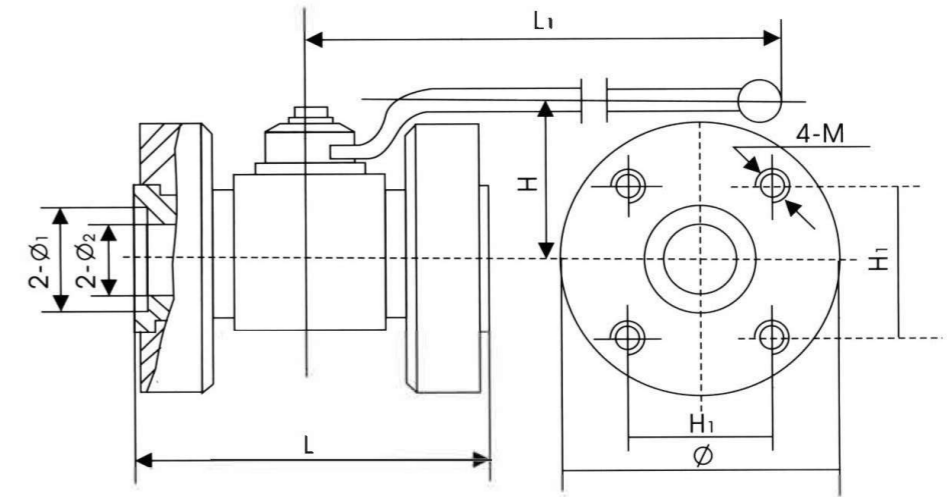
Male thread connection dimensions

Model	DM	L	D1	D2	L3	L4	H	B
QJH-6WL	M16×1.5	70	6	11	12	1.28	27	24
QJH-10WL	M22×1.5	86	10	16	14	1.97	37	34
QJH-15WL	M30×1.5	96	15	25	16	1.97	40	35
QJH-20WL	M36x2	114	18	30	18	1.97	55	48
QJH-25WL	M42x2	122	22	35	20	1.97	61	58
QJH-32WL	M52×2	145	30	40	22	1.97	72	68
QJH-40WL	M60×2	162	36	50	24	1.97	90	80



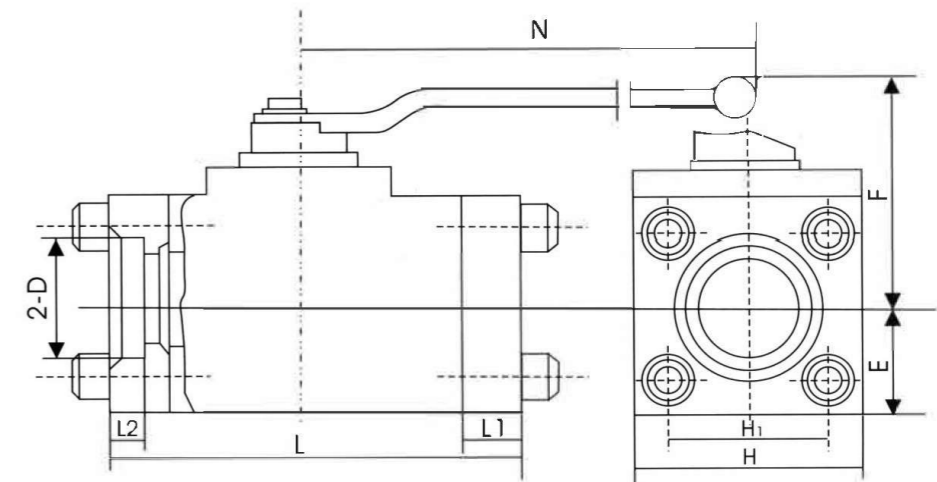
Female thread connection dimensions

Model	DM	L	D1	L3	H	B
QJH-6NL	M16×1.5	68	6	10	27	24
QJH-10NL	M18×1.5	76	10	14	37	34
QJH-15NL	M27x2	88	15	16	46	44
QJH-20NL	M33x2	102	18	16	55	48
QJH-25NL	M42x2	116	22	20	61	58
QJH-32NL	M48x2	129	30	20	72	68
QJH-40NL	M60×2	147	36	24	90	80



(Activity) flange connection dimensions

Model	L	L1	H	H1	f	2-φ ₁	2-φ ₂	4-M
QJH-10F	103	127	58	36	f 68	f 22	f 10	M10
QJH-15F	113.5	127	68	40	f 75	f 15	f 10	M10
QJH-20F	117.4	184	72	42	f 78	f 30	f 20	M10
QJH-25F	133.5	184	86	56	f 100	f 38	f 25	M12
QJH-32F	145.4	215	103	62	f 110	f 45	f 32	M12
QJH-40F	175	215	120	73	f 130	f 55	f 40	M16
QJH-50F	190	229	128	86	f 150	f 60	f 48	M18
QJH-65F	240	229	160	98	f 175	f 70	f 60	M22



Welded flange connection dimensions

Model	2-D	L2	L	L1	H	H1	F	E	N
QJH-50F1	f 62	17	200	30	110	74	118	55	250
QJH-65F1	f 77	22	250	45	140	101.2	132	70	250
QJH-80F1	f 91	25	265	45	150	113.1	142	75	315