



KHB KHM Series High Pressure Ball Valve (International Standard)

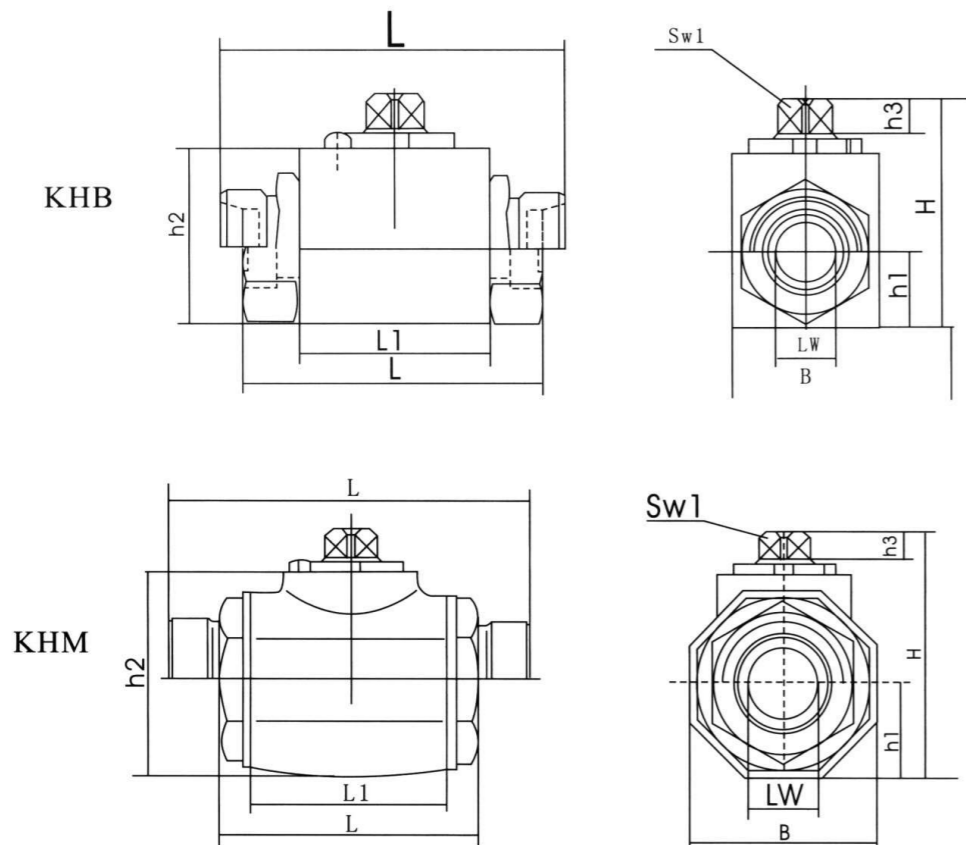
1 Model Code

KHB - **G1/2** - **1 1 1 2** - **01** - *****
(1) (1) (3) (4) (5) (6) (7) (8)

- 1、Series Code: KHB Series KHM Series
- 2、Joint Code: M**, G**, NPT**, **LR, **SR
- 3、Valve body material: 1-carbon steel, 2-stainless steel
- 4、Ball body material: 1-alloy steel, 3-stainless steel
- 5、Working temperature: 1: -25°C~+100°C; 2: -30°C~+170°C
- 6、Sealing material : 2-NBR, 4-FPM/FKM
- 7、Surface treatment: Blank-phosphorization, G-Yellow zinc plated



2 Overall Dimension



| Connection Way | Model | DN | LW | RA | d1 | l | L | L1 | B | H | h1 | h2 | h3 | Sw1 | Sw2 |
|---------------------|-------------|------------|----|----|----------|---------|-----|-----|-----|-------|------|-------|----|-----|-----|
| 符合JB984-77标准外螺纹 | KHB-M12x1.5 | 04 | 04 | 8 | M12x1.25 | 10 | 61 | 35 | 30 | 48 | 13 | 30 | 8 | 7 | 19 |
| | KHB-M16x1.5 | 06 | 06 | 11 | M16x1.5 | 11 | 69 | 35 | 30 | 48 | 13 | 30 | 8 | 7 | 19 |
| | KHB-M22x1.5 | 08 | 08 | 16 | M22x1.5 | 12 | 76 | 42 | 35 | 53 | 17 | 40 | 8 | 7 | 27 |
| | KHB-M27x1.5 | 10 | 10 | 20 | M27x1.5 | 12 | 76 | 42 | 35 | 53 | 17 | 40 | 8 | 9 | 27 |
| | KHB-M30x1.5 | 16 | 15 | 24 | M30x1.5 | 13 | 84 | 47 | 38 | 62 | 19 | 45 | 11 | 9 | 32 |
| | KHB-M36x2 | 20 | 19 | 30 | M36x2 | 15 | 103 | 60 | 48 | 75 | 24.5 | 55 | 11 | 12 | 41 |
| | KHB-M42x2 | 25 | 24 | 35 | M42x2 | 18 | 116 | 65 | 57 | 82 | 28.5 | 64 | 11 | 12 | 50 |
| | KHB-M52x2 | 32 | 30 | 40 | M52x2 | 20 | 149 | 84 | 75 | 102.7 | 37.5 | 84.2 | 12 | 17 | 60 |
| | KHB-M60x2 | 40 | 36 | 50 | M60x2 | 22 | 174 | 91 | 85 | 113.7 | 42.5 | 95.2 | 12 | 17 | 70 |
| | | KHB-G1/8 | 04 | 06 | - | G1/8 | 10 | 69 | 35 | 30 | 48 | 13 | 30 | 8 | 7 |
| KHB-G1/4 | | 06 | 06 | - | G1/4 | 14 | 69 | 35 | 30 | 48 | 13 | 30 | 8 | 7 | 22 |
| KHB-G3/8 | | 10 | 10 | - | G3/8 | 14 | 72 | 42 | 35 | 53 | 17 | 40 | 8 | 9 | 27 |
| KHM-G1/2 | | 16 | 15 | - | G1/2 | 16 | 83 | 41 | 38 | 62 | 19 | 45 | 11 | 9 | 32 |
| KHM-G3/4 | | 20 | 20 | - | G3/4 | 18 | 95 | 60 | 48 | 75 | 24.5 | 55 | 11 | 12 | 41 |
| KHM-G1 | | 25 | 25 | - | G1 | 20.5 | 113 | 65 | 57 | 82 | 28.5 | 64 | 11 | 12 | 50 |
| KHM-G11/4 | | 32 | 30 | - | G11/4 | 22 | 110 | 84 | 75 | 102 | 37.5 | 84.2 | 12 | 17 | 60 |
| KHM-G11/2 | | 40 | 38 | - | G11/2 | 24 | 130 | 91 | 85 | 113.7 | 42.5 | 95.2 | 12 | 17 | 70 |
| KHM-G2 | | 50 | 48 | - | G2 | 26 | 140 | 100 | 105 | 131.2 | 52.5 | 112.7 | 12 | 17 | 80 |
| | | KHM-NPT1/8 | 04 | 06 | - | NPT1/8 | 10 | 69 | 35 | 30 | 48 | 13 | 30 | 8 | 7 |
| | KHM-NPT1/4 | 06 | 06 | - | NPT1/4 | 14 | 69 | 35 | 30 | 48 | 13 | 30 | 8 | 7 | 22 |
| | KHM-NPT3/8 | 10 | 10 | - | NPT3/8 | 14 | 72 | 42 | 35 | 53 | 17 | 40 | 8 | 9 | 27 |
| | KHB-NPT1/2 | 16 | 15 | - | NPT1/2 | 16 | 83 | 41 | 38 | 62 | 19 | 45 | 11 | 9 | 32 |
| | KHB-NPT3/4 | 20 | 20 | - | NPT3/4 | 18 | 95 | 60 | 48 | 75 | 24.5 | 55 | 11 | 12 | 41 |
| | KHB-NPT1 | 25 | 25 | - | NPT1 | 20.5 | 113 | 65 | 57 | 82 | 28.5 | 64 | 11 | 12 | 50 |
| | KHB-NPT11/4 | 32 | 30 | - | NPT11/4 | 22 | 110 | 84 | 75 | 102.7 | 37.5 | 84.2 | 12 | 17 | 60 |
| | KHB-NPT11/2 | 40 | 38 | - | NPT11/2 | 24 | 130 | 91 | 85 | 113.7 | 42.5 | 95.2 | 12 | 17 | 70 |
| | KHB-NPT2 | 50 | 48 | - | NPT2 | 26 | 140 | 100 | 105 | 131.2 | 52.5 | 112.7 | 12 | 17 | 80 |
| | | KHB-06LR | 04 | 04 | 06 | M12x1.5 | 10 | 67 | 35 | 30 | 48 | 13 | 30 | 8 | 7 |
| KHB-08LR | | 06 | 06 | 08 | M14x1.5 | 10 | 67 | 35 | 30 | 48 | 13 | 30 | 8 | 7 | 19 |
| KHB-10LR | | 08 | 08 | 10 | M16x1.5 | 11 | 74 | 42 | 35 | 53 | 17 | 40 | 8 | 7 | 27 |
| KHB-12LR | | 10 | 10 | 12 | M18x1.5 | 11 | 74 | 42 | 35 | 53 | 17 | 40 | 8 | 9 | 27 |
| KHB-15LR | | 12 | 12 | 15 | M22x1.5 | 12 | 82 | 47 | 38 | 62 | 19 | 45 | 11 | 9 | 32 |
| KHB-18LR | | 16 | 15 | 18 | M26x1.5 | 12 | 82 | 47 | 38 | 62 | 19 | 45 | 11 | 9 | 32 |
| KHB-22LR | | 20 | 19 | 22 | M30x2 | 14 | 101 | 60 | 48 | 75 | 24.5 | 55 | 11 | 12 | 41 |
| KHB-28LR | | 25 | 24 | 28 | M36x2 | 14 | 108 | 65 | 57 | 82 | 28.5 | 64 | 11 | 12 | 50 |
| KHB-35LR | | 32 | 30 | 35 | M45x2 | 16 | 141 | 84 | 75 | 102.7 | 37.5 | 84.2 | 12 | 17 | 60 |
| KHB-42LR | | 40 | 36 | 42 | M52x2 | 16 | 162 | 91 | 85 | 113.7 | 42.5 | 95.2 | 12 | 17 | 70 |
| | KHB-08SR | 04 | 05 | 08 | M16x1.5 | 12 | 73 | 35 | 30 | 48 | 13 | 30 | 8 | 7 | 19 |
| | KHB-10SR | 06 | 06 | 10 | M18x1.5 | 12 | 73 | 35 | 30 | 48 | 13 | 30 | 8 | 7 | 19 |
| | KHB-12SR | 08 | 08 | 12 | M20x1.5 | 12 | 76 | 42 | 35 | 53 | 17 | 40 | 8 | 7 | 27 |
| | KHB-14SR | 10 | 10 | 14 | M22x1.5 | 14 | 80 | 42 | 35 | 53 | 17 | 40 | 8 | 9 | 27 |
| | KHB-16SR | 12 | 12 | 16 | M24x1.5 | 14 | 86 | 47 | 38 | 62 | 19 | 45 | 11 | 9 | 32 |
| | KHB-20SR | 16 | 15 | 20 | M30x2 | 16 | 90 | 47 | 38 | 62 | 19 | 45 | 11 | 9 | 32 |
| | KHB-25SR | 20 | 20 | 25 | M36x2 | 18 | 109 | 60 | 48 | 75 | 24.5 | 55 | 11 | 12 | 41 |
| | KHB-30SR | 25 | 25 | 30 | M42x2 | 20 | 120 | 65 | 57 | 82 | 28.5 | 64 | 11 | 12 | 50 |
| | KHM-38SR | 32 | 30 | 38 | M52x2 | 22 | 153 | 84 | 75 | 102.7 | 37.5 | 84.2 | 12 | 17 | 60 |