



KHB3K(BK3)Two-position Three-way High Pressure Ball Valve(International Standard)

KHB3K(BK3)Two-position Three-way High Pressure Ball Valve(International Standard)

1 Introduction

KHB3K(BK3) - G1/2 - L 1 1 1 2 - 01 - *
 (1) (2) (3) (4)(5)(6) (7) (8) (9)

- 1、 Series Code: KHB 3K Series Two-position Three-way High Pressure Ball Valve
- 2、 Joint Code: M**, G**, NPT**, **LR, **SR
- 3、 Function code is mentioned below
- 4、 Valve body material : 1- steel,2-stainless steel
- 5、 Ball body material: 1-steel, 2-brass, 3-stainless steel
- 6、 Working temperature: 1:-25°C~+100°C; 2:-30°C~+170°C.
- 7、 Sealing material : 2-NBR,4-FPM/FKM
- 8、 Surface treatment: Blank-phosphorization, G-Yellow zinc plated

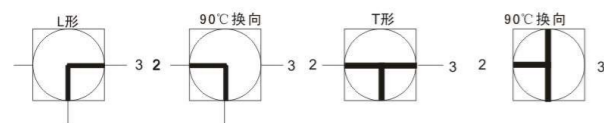


2 Function

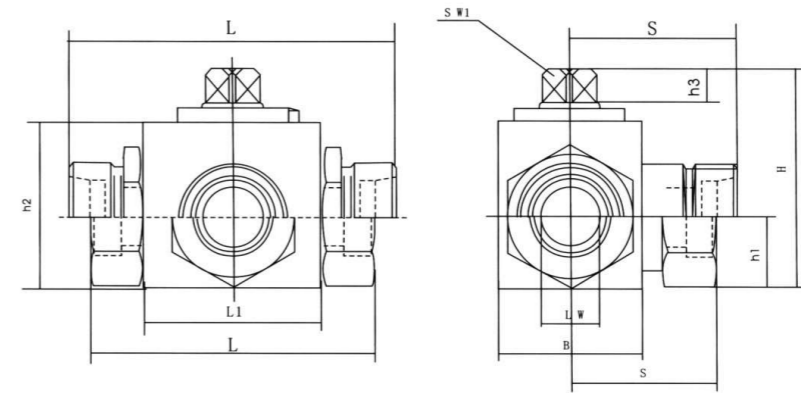
The sealing function is effective only in the following two situations:

- A: The closed port's pressure is zero.
- B: The closed port's pressure is lower than the other two open ones.

Sybolm



3 Overall Dimension



KHB3K-M12X1.25

Connection way	Model	DN	Lw	RA	d1	I	L	L1	B	H	h1	h2	h3	S	sw1	sw2	
	KHB3K-M12X1.25	4	4	8	M12X1.25	10	61	35	30	48	13	30	8	35	7	19	
	KHB3K-M16X1.5	6	6	11	M16X1.5	11	69	35	30	48	13	30	8	35	7	19	
	KHB3K-M22x1.5	8	8	16	M22x1.5	12	76	42	35	53	17	40	8	38	7	27	
	KHB3K-M27x1.5	10	10	20	M27x1.5	12	76	42	35	53	17	40	8	38	9	27	
	KHB3K-M30X1.5	16	15	24	M30×1.5	13	84	47	38	62	19	45	11	42	9	32	
	KHB3K-M36x2	20	19	30	M36×2	15	103	60	48	75	24.5	55	11	52	12	41	
	KHB3K-M42x2	25	24	35	M42x2	18	116	65	57	82	28.5	64	11	58	12	50	
	KHB3K-M52×2	32	30	40	M52x2	20	149	84	75	102.7	37.5	84.2	12	72	17	60	
	KHB3K-M60x2	40	36	50	M60x2	22	174	91	85	113.7	42.5	95.2	12	79.5	17	70	
	KHB3K-G1/8	4	6	-	G1/8	10	69	35	30	48	13	30	8	35	7	19	
	KHB3K-G1/4	6	6	-	G1/4	14	69	35	30	48	13	30	8	35	7	22	
	KHB3K-G3/8	10	10	-	G3/8	14	72	42	35	53	17	40	8	36	9	27	
	KHB3K-G1/2	16	15	-	G1/2	16	83	47	38	62	19	45	11	42	9	32	
	KHB3K-G3/4	20	20	-	G3/4	18	95	60	48	75	24.5	55	11	49	12	41	
	KHB3K-G1	25	25	-	G1	20.5	113	65	57	82	28.5	64	11	56.5	12	50	
	KHB3K-G11/4	32	30	-	G11/4	22	110	84	75	102.7	37.5	84.2	12	55	17	60	
	KHB3K-G11/2	40	38	-	G11/2	24	130	91	85	113.7	42.5	95.2	12	65	17	70	
	KHB3K-G2	50	48	-	G2	26	140	100	105	131.2	52.5	112.7	12	70	17	80	
		KHB3K-NPT1/8	4	6	-	NPT1/8	10	69	35	30	48	13	30	8	35	7	19
		KHB3K-NPT1/4	6	6	-	NPT1/4	14	69	35	30	48	13	30	8	35	7	22
KHB3K-NPT3/8		10	10	-	NPT3/8	14	72	42	35	53	17	40	8	36	9	27	
KHB3K-NPT1/2		16	15	-	NPT1/2	16	83	47	38	62	19	45	11	42	9	32	
KHB3K-NPT3/4		20	20	-	NPT3/4	18	95	60	48	75	24.5	55	11	49	12	41	
KHB3K-NPT1		25	25	-	NPT1	20.5	113	65	57	82	28.5	64	11	56.5	12	50	
KHB3K-NPT11/4		32	30	-	NPT11/4	22	110	84	75	102.7	37.5	84.2	12	55	17	60	
KHB3K-NPT11/2		40	38	-	NPT11/2	24	130	91	85	113.7	42.5	95.2	12	65	17	70	
KHB3K-NPT2		50	48	-	NPT2	26	140	100	105	131.2	52.5	112.7	12	70	17	80	
		KHB3K-06LR	4	4	6	M12X1.5	10	67	35	30	48	13	30	8	34.5	7	19
	KHB3K-08LR	6	6	8	M14x1.5	10	67	35	30	48	13	30	8	34.5	7	19	
	KHB3K-10LR	8	8	10	M16X1.5	11	74	42	35	53	17	40	8	37	7	27	
	KHB3K-12LR	10	10	12	M18x1.5	11	74	42	35	53	17	40	8	37	9	27	
	KHB3K-15LR	12	12	15	M22x1.5	12	82	47	38	62	19	45	11	40	9	32	
	KHB3K-18LR	16	15	18	M26X1.5	12	82	47	38	62	19	45	11	42	12	32	
	KHB3K-22LR	20	19	22	M30×2	14	101	60	48	75	24.5	55	11	52	12	41	
	KHB3K-28LR	25	24	28	M36x2	14	108	65	57	82	28.5	64	11	54	12	50	
	KHB3K-08SR	4	5	8	M16X1.5	12	73	35	30	48.0	13	30	8	37	7	19	
		KHB3K-10SR	6	6	10	M18×1.5	12	73	35	30	48.0	13	30	8	37	7	19
KHB3K-12SR		8	8	12	M20x1.5	12	76	42	35	53	17	40	8	38	7	27	
KHB3K-14SR		10	10	14	M22x1.5	14	80	42	35	53	17	40	8	40	9	27	
KHB3K-16SR		12	12	16	M24X1.5	14	86	47	38	62	19	45	11	43.5	9	32	
KHB3K-20SR		16	15	20	M30x2	16	90	47	38	62	19	45	11	45.5	12	32	
KHB3K-25SR		20	20	25	M36x2	18	109	60	48	75	24.5	55	11	56	12	41	
KHB3K-30SR		25	25	30	M42x2	20	120	65	57	82	28.5	64	11	60	12	50	