

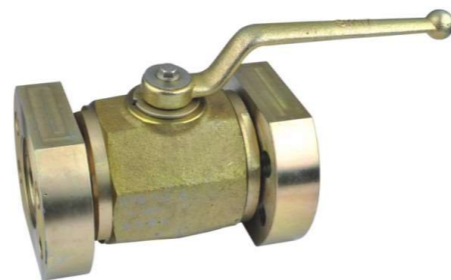


High Pressure Ball Valve(With SAE Counterflange) BKH-SAE MKH-SAE

1 Model Code

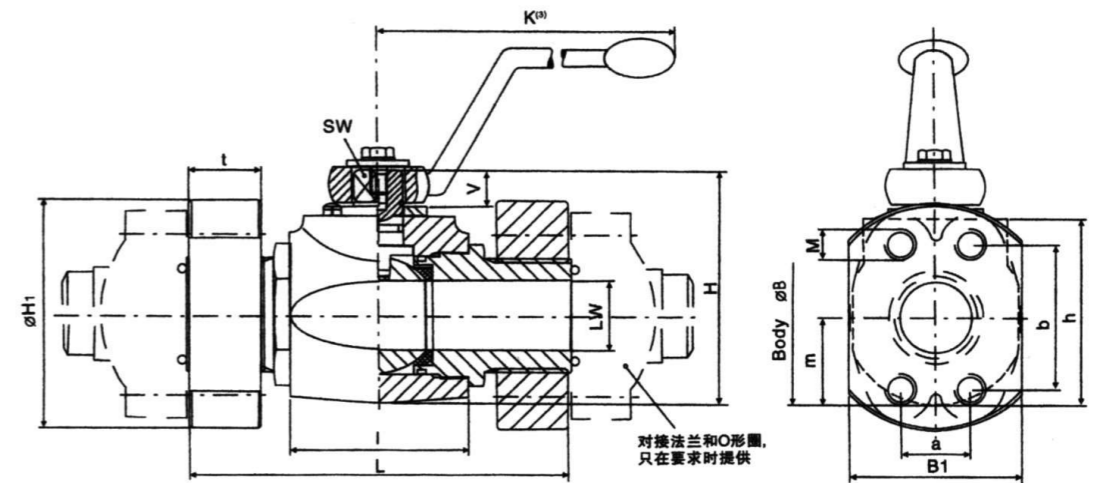
BKH-SAE	210	-	13	-	1	-	1	2	3	※
(1)	(2)	(3)	(4)	(5)	(6)	(7)	(8)			

- Series Code: BKH-SAE-Squared type
MKH-SAE-FS-Casting Round type
 - Nominal Pressure: 210、420bar
 - Nominal Size: 13、20...mm
 - Valve Body Material: 1-carbon steel(BKH-SAE),2-carbon steel(MKH-SAE)
 - Ball Body Material: 1-alloy steel,3-stainless steel
 - Ball Sealing Material: 1-POM
 - Other Sealing Material: 2-NBR,4-FPM/FKM
 - Surface Treatment: Blank-phosphorization
- Please inform us of the detail if you want other treatment



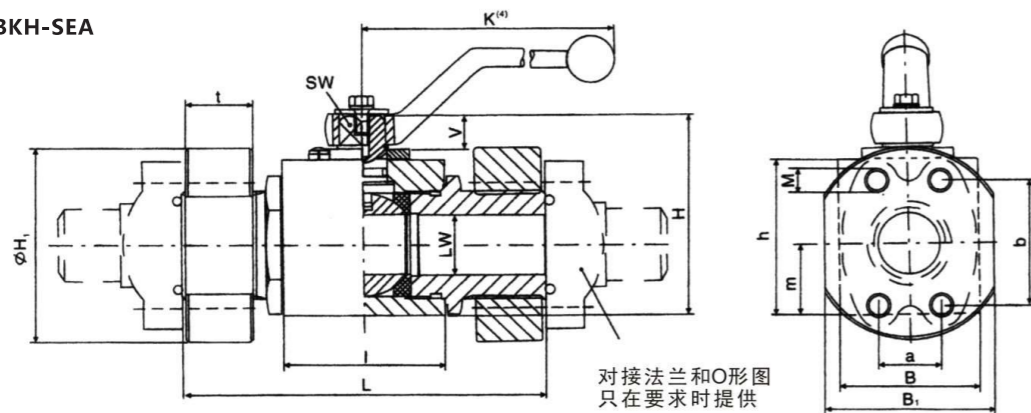
High Pressure Ball Valve (With SAE Counterflange)

(1).MKH-SEA



2 Overall Size

(1).BKH-SEA



210bar(3000psi)

Model	DN ⁽¹⁾	PN ⁽²⁾	LW	L	I	B	H	h	m	v	sw	K ⁽³⁾	B ₁	H ₁	t	a	b	M	Weight kg
BKH-SAE-210	13	210	13	120	48	35	52.5	40	17	8	9	135	48	56	22	17.5	38.1	M8	1.5
BKH-SAE-210	20	210	20	136	60	48	72	57	24	12	14	181	60	72	23	22.2	47.6	M10	3
BKH-SAE-210	25	210	25	148	65	57	81	64	28.5	12	14	181	70	81	27	26.2	52.4	M10	4.5

420bar(6000psi)

Model	DN ⁽¹⁾	PN ⁽²⁾	LW	L	I	B	H	h	m	v	sw	K ⁽³⁾	B ₁	H ₁	t	a	b	M	Weight kg
BKH-SAE-420	13	420	13	120	48	35	52.5	40	17	8	9	135	48	56	22	18.2	40.5	M8	1.5
BKH-SAE-420	20	315	20	136	60	48	72	57	24	12	14	181	60	72	23	23.8	50.8	M10	3
BKH-SAE-420	25	315	25	148	65	57	81	64	28.5	12	14	181	70	81	27	27.8	57.2	M12	4.5

210 (3000si)																			
Model	DN ⁽¹⁾	PN ⁽²⁾	LW	L	I	B	H	h	m	v	sw	K	B ₁	H ₁	t	a	b	M	Weight kg
MKH-SAE-210 ⁽³⁾	32	210	30	172	84	75	104.5	84	37.5	14	17	225	78	105	32	30.2	58.7	M12	7.3
MKH-SAE-210	40	210	38	177	91	85	115.5	95	42.5	14	17	225	96	120	32	35.7	69.8	M12	10.8
MKH-SAE-210	50	210	48	196	100	105	133	112.5	52.5	14	17	225	114	145	34	42.9	77.8	M12	18.8
MKH-SAE-210	50/65	210	48	196	100	105	133	112.5	52.5	14	17	225	114	145	34	50.8	88.9	M12	18.8

420bar(6000psi)																			
Model	DN ⁽¹⁾	PN ⁽²⁾	LW	L	I	B	H	h	m	v	sw	K	B ₁	H ₁	t	a	b	M	Weight kg
MKH-SAE-420	32	350	30	172	84	75	104.5	84	37.5	14	17	225	78	105	32	31.8	66.7	M14	7.3
MKH-SAE-420	40	350	38	177	91	85	115.5	95	42.5	14	17	225	96	120	32	36.5	79.4	M16	10.8
MKH-SAE-420	50	350	48	196	100	105	133	112.5	52.5	14	17	225	114	145	34	44.5	96.8	M20	18.8

- 注: (1) DN in mm;
 (2) PN in bar;
 (3) MKH-SAE-210ND 32 's standard product uses M12 bolt in its flange.
 We also provide M10 bolt if you inform us of the detail.