



KHB KHM Series Flange Hydraulic Ball Valve (International Standard)

1 Model Code

KHB **F** **016** - **PN040** - **1** **1** **1** **2** **6** - **02**
 (1) (2) (3) (4) (5) (6) (7) (8) (9) (10)

1.Series Code: KHB-Squared type

KHM-Round type

2.Flange,Joint:

F-conforms to DIN-EN558-1,FTF, basic range 1, long DIN3202-F1.

FF-conforms to DIN-EN558-1,FTF, basic range 14, short form DIN3202-F4

3.Nominal Size:16~50mm

4.Pressure Range: 4、 6.3、 16、 25、 31.5MPa

(40、 63、 160、 250、 315bar)

5.Valve Body , Flange Material:1-carbon steel,3-stainless steel

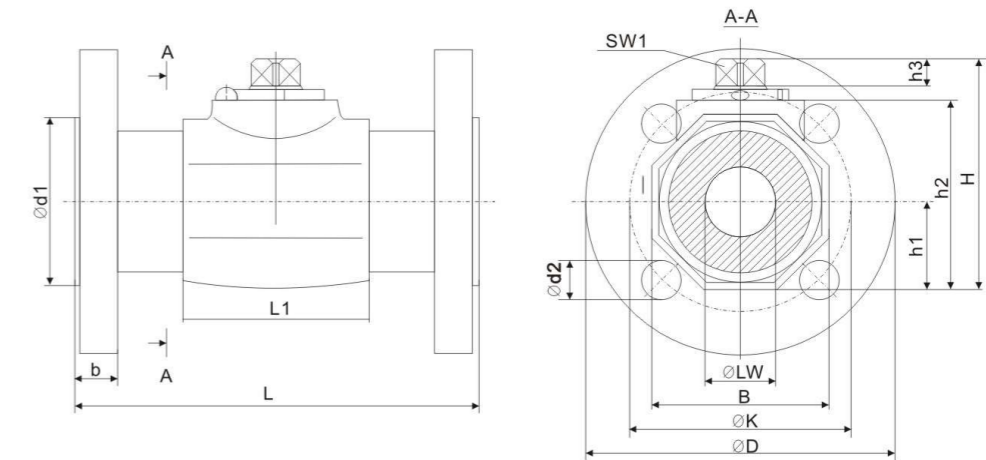
6.Ball Body Material:1-alloy steel,3-stainless steel

7.Ball Sealing Material:1-POM

8.Other Sealing Material(joint,valve lock):2-NBR,4-FPM/FKM

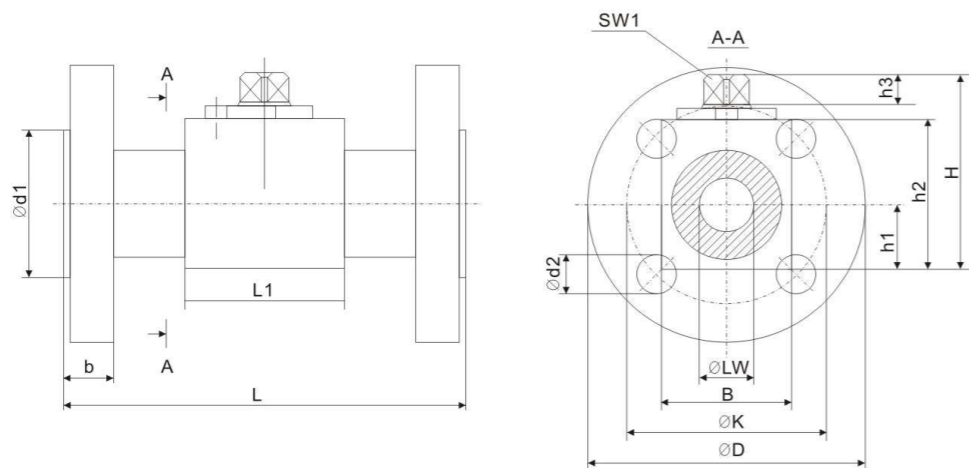


KHMF
KHMFF



2 Overall Size

KHBF



Model	Pressure Range (bar)	LW	L	L1	D	d1	d2	K	B	b	H	h1	h2	h3	SW1	Z*
KHBF-016	40				95		14	65		16						
	160	15	130	47	105	45	14	75	38	20	63.5	19	46	11	12	
	315				130		18	90		26						
KHBF-020	40	20	150	60	105	55	14	75	48	18	75	24	57			
	160				115		14	85		18						
	250	25	160	65	140	65	18	100	57	24	82	28.5	64	12	14	
	315				150		22	105		28						
KHMF-032	40				140		18	100		18						
	160	30	180	84	155	78	22	110	75	26	104.5	37.5	84			4
	250				170		18	110		18						
	315				185		26	135		34						
KHMF-040	40				165		18	125		20						
	160	38	200	91	170	88	22	125	85	28	115.5	42.5	95			
	250				195		26	145		38						
	315				200		26	150		38						
	40				180		22	135		26						
KHMF-050	160	48	230	100	195	102	26	145	105	30	133	52.5	112.5			
	250				200		26	150		38						
	315				210		26	160		42						8
	40				165		18	125		20						
KHMFF-032	40	30	130	84	140	78	18	100	75	18	104.5	37.5	84			
KHMFF-040	40	38	140	91	150	88	18	110	85	18	115.5	42.5	95			4
KHMFF-050	40	48	150	100	165	102	18	125	105	20	133	52.5	112.5			